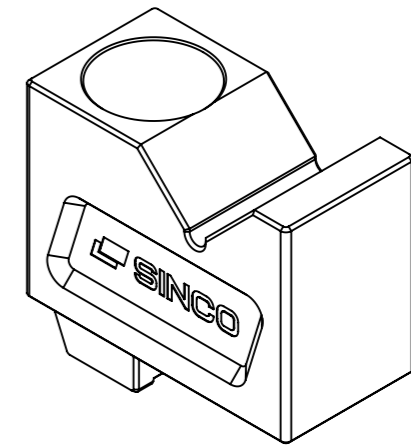
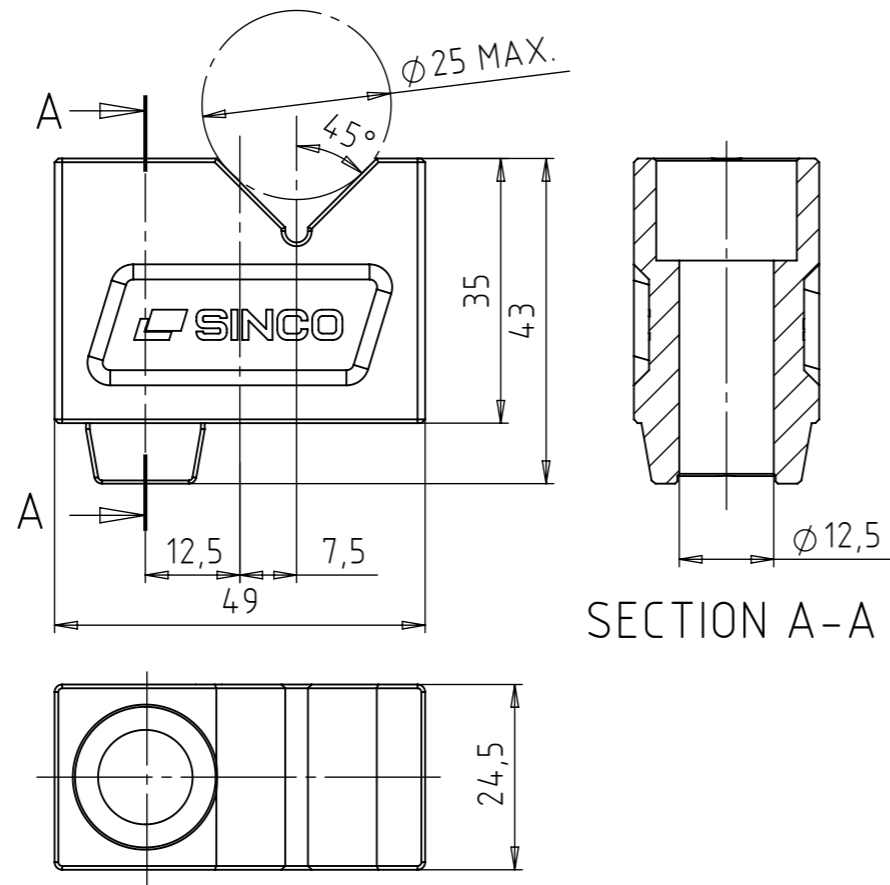


- NOTES:
1. ONLY IMPORTANT DIMENSIONS ARE SHOWN ON THE DRAWING.
 2. ALL GEOMETRY SHOULD CORRESPOND WITH THE CAD MODEL. GENERAL TOLERANCES HAVE TO BE APPLIED TO MISSING DIMENSIONS TAKEN FROM CAD MODEL.
 3. PART MUST BE FREE OF BURR AND IMPERFECTIONS THAT MIGHT AFFECT FIT OR FUNCTION.



ISOMETRIC VIEW

SECTION A-A

No.	DATE	REVISION RECORD	SIGN.
-	24.02.2025.	NEW	S.S.

ISO TOL.	PROJ. EUROP.	SCALE: 1:1	DO NOT SCALE DRAWING				
	NAME: Sinko S.	SIGNATURE:	DATE: 24.02.2025.	PART NAME: MZ PRISMATIC SUPPORT V W25 H35 90			
	DESIGNED BY:			PRODUCT: -			
	CONTROL BY:			PART NUMBER: 1A3-2505-0			
	APPROV. BY: Sinko S.		DATE: 24.02.2025.	DRAWING NUMBER: 1A3-2505-0-C			
	MATERIAL: -	WEIGHT: 0.25 kg		PROJECT NO: -			
	RAW DIM: -	HEAT TREATMENT: -		POSITION: -	NO. OF PARTS: -		
	GENERAL TOLERANCES FOR DIMENSIONS ACC. ISO 2768-1: f INDICATIONS OF FORM AND POSITION ACC. TO ISO 1101 SURFACE ROUGHNESS INDICATIONS ACC. TO ISO 1302			PAPER SIZE: A3	PAGE: 1		
	PERMISSIBLE DEVIATIONS FOR LINEAR DIMENSIONS ISO 2768-1: f EXTRACT			Slovenska vas 4j, 8261 Jesenice na Dol., Slovenija Tel: +386 (0)7 49 57 371	PAGES: 1		
	SIZE RANGE	Up to 3	> 3 to 6		> 6 to 30	> 30 to 120	> 120 to 315
	LINEAR TOLERANCE	±0.05	±0.05	±0.10	±0.15	±0.20	±0.30