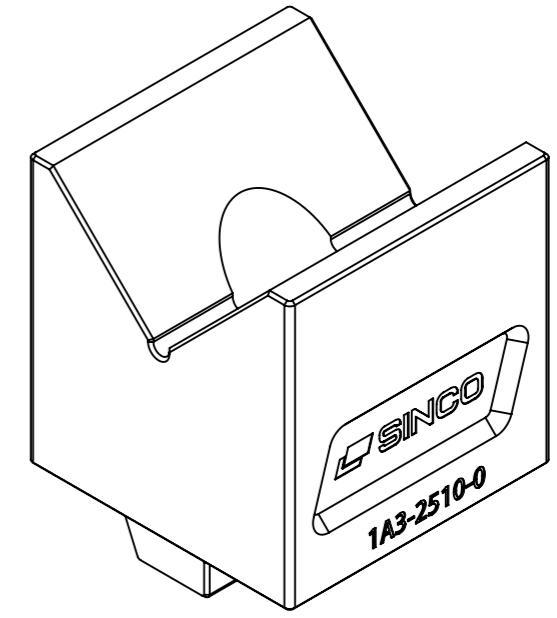
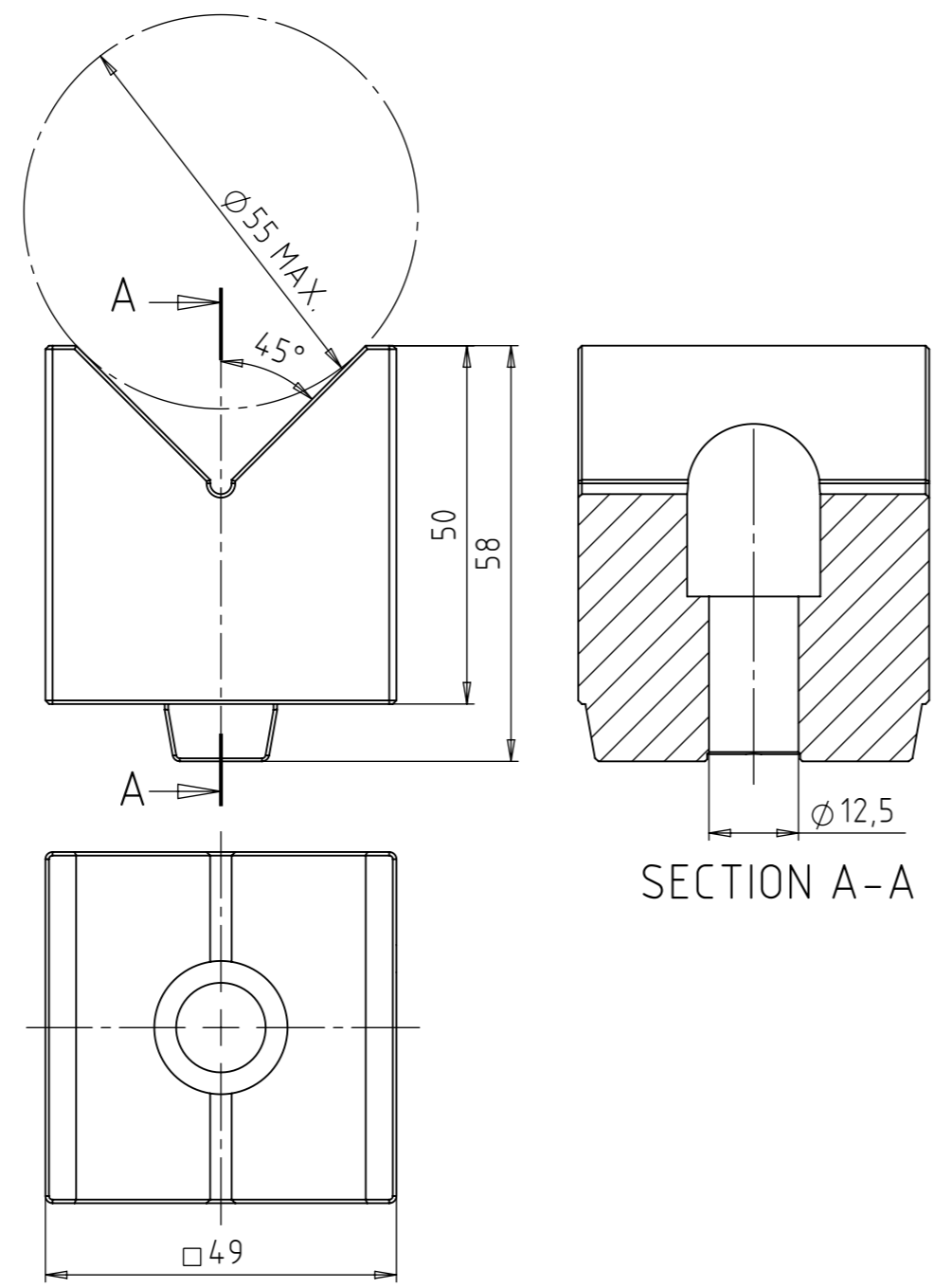


- NOTES:
 1. ONLY IMPORTANT DIMENSIONS ARE SHOWN ON THE DRAWING.
 2. ALL GEOMETRY SHOULD CORRESPOND WITH THE CAD MODEL. GENERAL TOLERANCES HAVE TO BE APPLIED TO MISSING DIMENSIONS TAKEN FROM CAD MODEL.
 3. PART MUST BE FREE OF BURR AND IMPERFECTIONS THAT MIGHT AFFECT FIT OR FUNCTION.



ISOMETRIC VIEW

No.	DATE	REVISION RECORD	SIGN.
-	24.02.2025.	NEW	S.S.

ISO TOL.	PROJ. EUROPE	SCALE: 1:1	DO NOT SCALE DRAWING																	
	NAME: Sinko S.	SIGNATURE:	DATE: 24.02.2025.	PART NAME: MZ PRISMATIC SUPPORT V W50 H50 90																
	DESIGNED BY:			PRODUCT: -																
	CONTROL BY:			PART NUMBER: 1A3-2510-0																
	APPROV. BY: Sinko S.		DATE: 24.02.2025.	DRAWING NUMBER: 1A3-2510-0-C																
	MATERIAL: -	WEIGHT: 0.74 kg																		
	RAW DIM: -	HEAT TREATMENT: -																		
	GENERAL TOLERANCES FOR DIMENSIONS ACC. ISO 2768-1: f GEOMETRICAL TOLERANCES ACC. ISO 2768-2: fH INDICATIONS OF FORM AND POSITION ACC. TO ISO 1101 SURFACE ROUGHNESS INDICATIONS ACC. TO ISO 1302			PROJECT NO: - POSITION: - NO. OF PARTS: - PAPER SIZE: A3																
	<table border="1"> <tr> <th>PERMISSIBLE DEVIATIONS FOR LINEAR DIMENSIONS ISO 2768-1: f EXTRACT</th> <th>SIZE RANGE</th> <th>Up to 3</th> <th>> 3 to 6</th> <th>> 6 to 30</th> <th>> 30 to 120</th> <th>> 120 to 315</th> <th>> 315 to 1000</th> </tr> <tr> <td>LINEAR TOLERANCE</td> <td></td> <td>±0.05</td> <td>±0.10</td> <td>±0.15</td> <td>±0.20</td> <td>±0.30</td> <td>±0.50</td> </tr> </table>			PERMISSIBLE DEVIATIONS FOR LINEAR DIMENSIONS ISO 2768-1: f EXTRACT	SIZE RANGE	Up to 3	> 3 to 6	> 6 to 30	> 30 to 120	> 120 to 315	> 315 to 1000	LINEAR TOLERANCE		±0.05	±0.10	±0.15	±0.20	±0.30	±0.50	Slovenska vas 4j, 8261 Jesenice na Dol., Slovenija Tel: +386 (0)7 49 57 371
PERMISSIBLE DEVIATIONS FOR LINEAR DIMENSIONS ISO 2768-1: f EXTRACT	SIZE RANGE	Up to 3	> 3 to 6	> 6 to 30	> 30 to 120	> 120 to 315	> 315 to 1000													
LINEAR TOLERANCE		±0.05	±0.10	±0.15	±0.20	±0.30	±0.50													
				PAGE: 1																
				PAGES: 1																