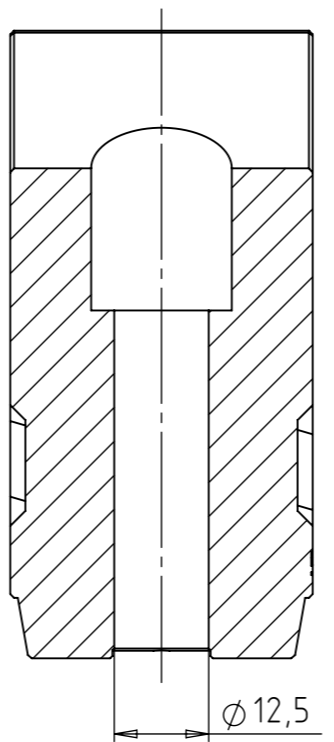
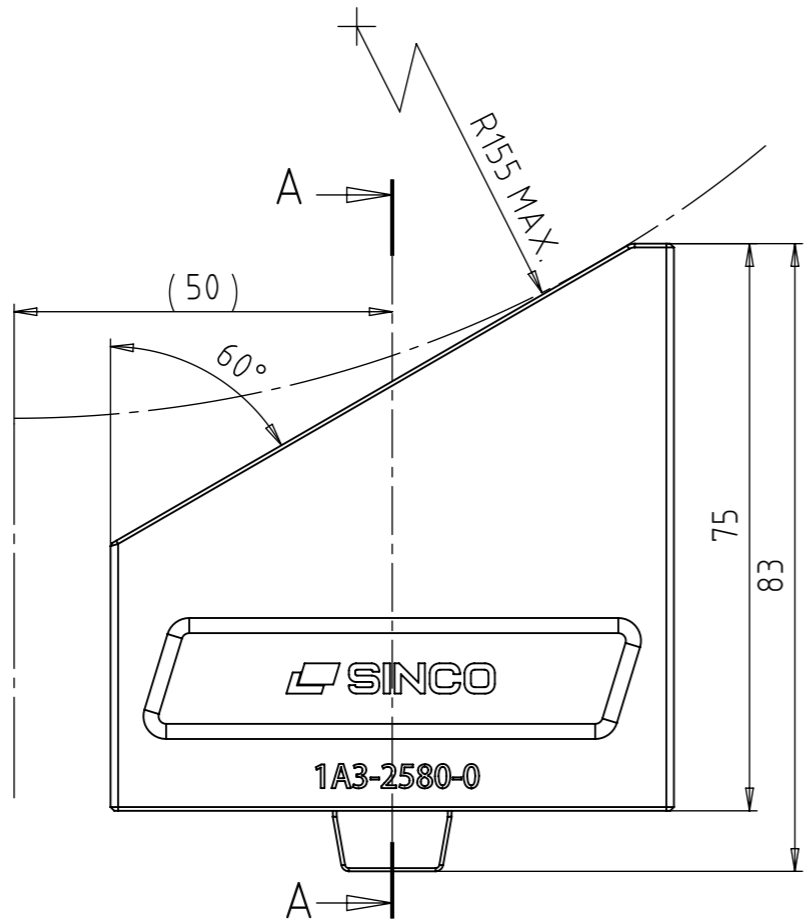
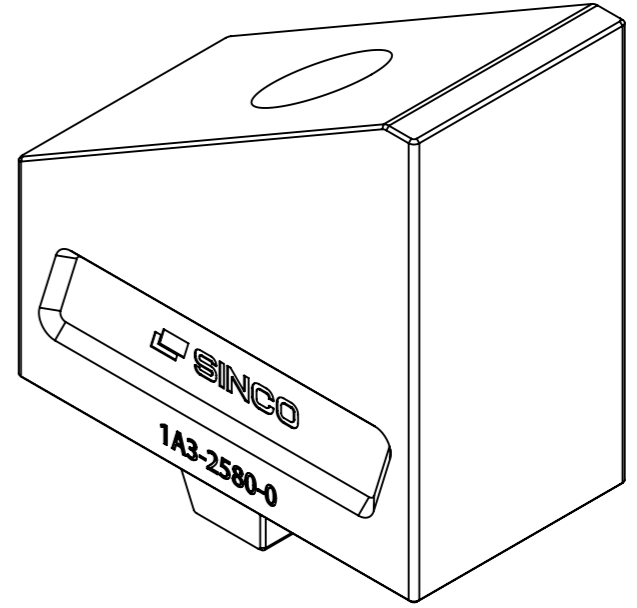
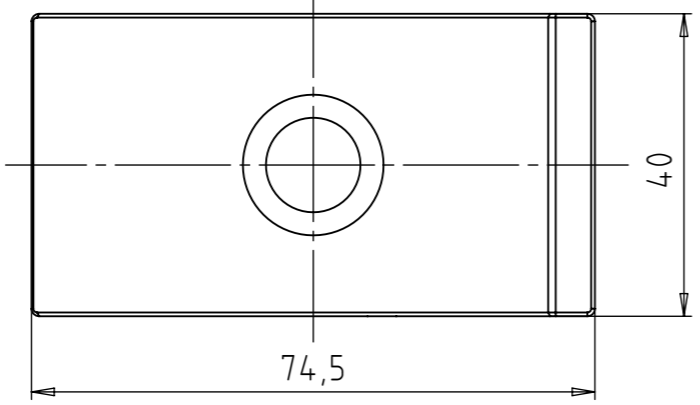


NOTES:
 1. ONLY IMPORTANT DIMENSIONS ARE SHOWN ON THE DRAWING.
 2. ALL GEOMETRY SHOULD CORRESPOND WITH THE CAD MODEL. GENERAL TOLERANCES HAVE TO BE APPLIED TO MISSING DIMENSIONS TAKEN FROM CAD MODEL.
 3. PART MUST BE FREE OF BURR AND IMPERFECTIONS THAT MIGHT AFFECT FIT OR FUNCTION.



SECTION A-A



ISOMETRIC VIEW

-	24.02.2025.	NEW	S.S.
No.	DATE	REVISION RECORD	SIGN.

ISO TOL.	PROJ. EUROPE	SCALE: 1:1	DO NOT SCALE DRAWING
	NAME: Sinko S.	SIGNATURE:	DATE: 24.02.2025.
	DRAWN BY: Sinko S.	PRODUCT: MZ PRISMATIC SUPPORT V W40 L75 120	
	DESIGNED BY:	PART NUMBER: 1A3-2580-0	
	CONTROL BY:	DRAWING NUMBER: 1A3-2580-0-C	
	APPROV. BY: Sinko S.	DATE: 24.02.2025.	PROJECT NO: -
	MATERIAL: -	WEIGHT: 1.24 kg	POSITION: -
	RAW DIM: -	HEAT TREATMENT: -	NO. OF PARTS: -
	GENERAL TOLERANCES FOR DIMENSIONS ACC. ISO 2768-1-f		PAPER SIZE: A3
	INDICATIONS OF FORM AND POSITION ACC. TO ISO 1101		PAGE: 1
	SURFACE ROUGHNESS INDICATIONS ACC. TO ISO 1302		PAGES: 1
	PERMISSIBLE DEVIATIONS FOR LINEAR DIMENSIONS	SIZE RANGE	Slovenska vas 4j, 8261 Jesenice na Dol., Slovenija Tel: +386 (0)7 49 57 371
	ISO 2768-1 EXTRACT	LINEAR TOLERANCE	