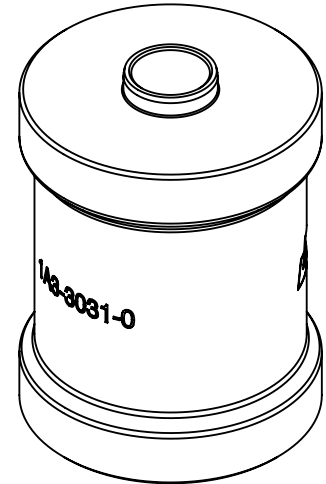
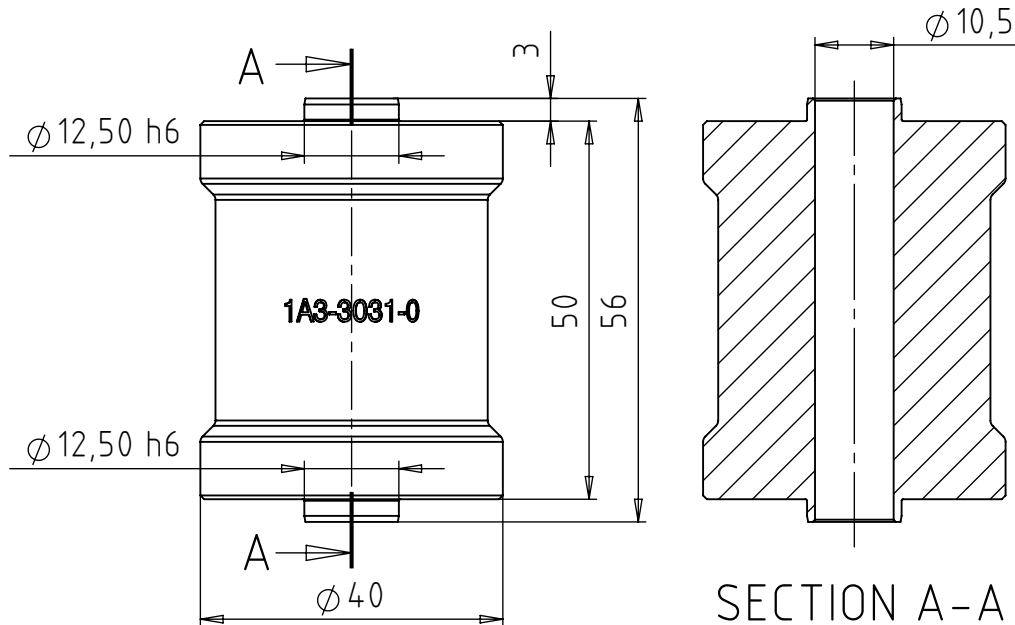


NOTES:

1. ONLY IMPORTANT DIMENSIONS ARE SHOWN ON THE DRAWING.
2. ALL GEOMETRY SHOULD CORRESPOND WITH THE CAD MODEL. GENERAL TOLERANCES HAVE TO BE APPLIED TO MISSING DIMENSIONS TAKEN FROM CAD MODEL.



ISOMETRIC VIEW



SECTION A-A

-	24.02.2025.	NEW	S.S.
No.	DATE	REVISION RECORD	SIGN.

ISO TOL.	PROJ. EUROP.	SCALE: 1:1	DO NOT SCALE DRAWING						
	NAME: Sinko S.	SIGNATURE:	DATE: 24.02.2025.	PART NAME: MZ CLAMP SUPPORT D40 H50					
	DRAWN BY: Sinko S.			PRODUCT: MULTIZERO SYSTEM					
	DESIGNED BY:			PART NUMBER: 1A3-3031-0					
	CONTROL BY:			DRAWING NUMBER: 1A3-3031-0-C					
	APPROV. BY: Sinko S.		24.02.2025.	PROJECT NO.: -					
	MATERIAL: CORROSION RESISTANT STEEL	WEIGHT: 401 g		POSITION: -	NO. OF PARTS: -	PAPER SIZE: A4			
	RAW DIM.: -	HEAT TREATMENT: 53 HRc				PAGE: 1			
	GENERAL TOLERANCES FOR DIMENSIONS ACC. ISO 2768-1: f			Slovenska vas 4 j,					
	GEOMETRICAL TOLERANCES ACC. ISO 2768-2: fh			8261 Jesenice na Dol., Slovenija					
	INDICATIONS OF FORM AND POSITION ACC. TO ISO 1101			Tel: +386 (0)7 49 57 371					
	SURFACE ROUGHNESS INDICATIONS ACC. TO ISO 1302			PAGES: 1					
	PERMISSIBLE DEVIATIONS FOR LINEAR DIMENSIONS ISO 2768-1 f EXTRACT	SIZE RANGE	Up to 3	>3 to 6	>6 to 30	>30 to 120	>120 to 315	>315 to 1000	>1000 to 2000
	LINEAR TOLERANCE		±0,05	±0,05	±0,10	±0,15	±0,20	±0,30	±0,50