

1

2

3

4

## NOTES:

1. ONLY IMPORTANT DIMENSIONS ARE SHOWN ON THE DRAWING.
2. ALL GEOMETRY SHOULD CORRESPOND WITH THE CAD MODEL. GENERAL TOLERANCES HAVE TO BE APPLIED TO MISSING DIMENSIONS TAKEN FROM CAD MODEL.

A

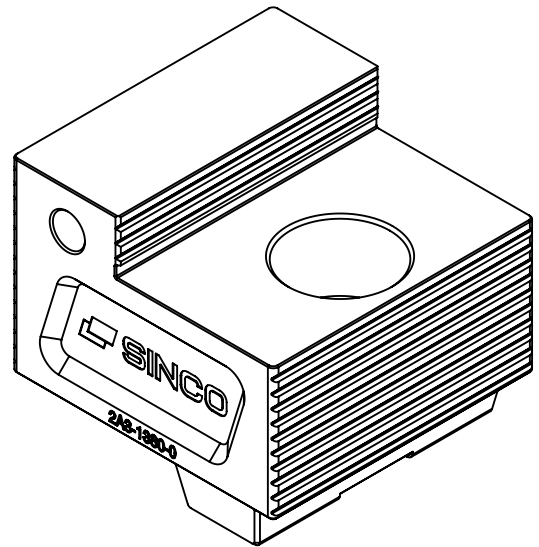
B

C

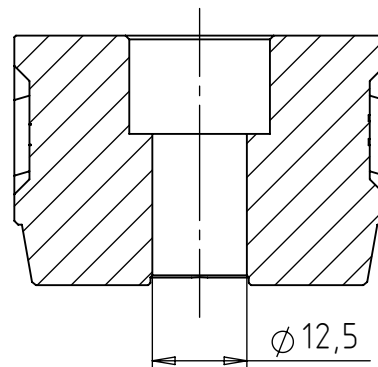
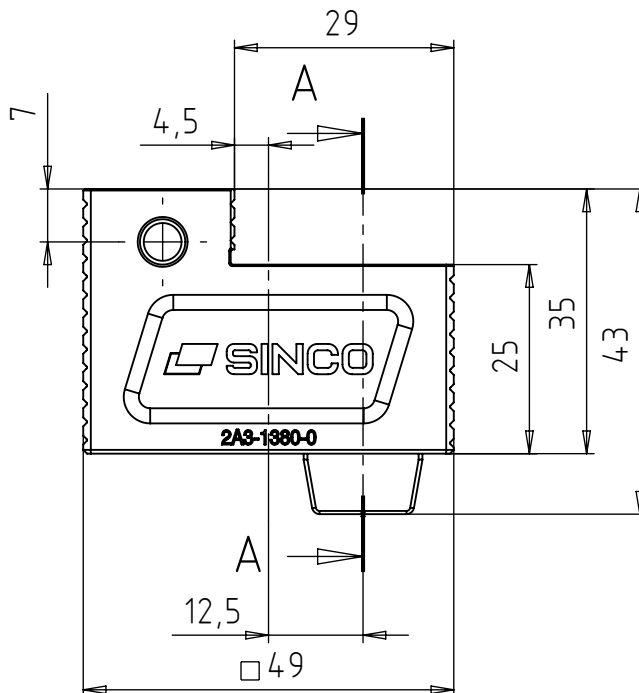
D

E

F



ISOMETRIC VIEW



SECTION A-A

-	05.03.2025.	NEW	S.S.
No.	DATE	REVISION RECORD	SIGN.

ISO TOL.	PROJ. EUROP.	SCALE: 1:1	DO NOT SCALE DRAWING	
	NAME: Sinko S.	SIGNATURE:	DATE: 05.03.2025.	PART NAME: MZ SUPPORT W50 L50E H35
	DRAWN BY: Sinko S.			PRODUCT: MULTIZERO SYSTEM
	DESIGNED BY:			PART NUMBER: 2A3-1380-0
	CONTROL BY:			DRAWING NUMBER: 2A3-1380-0-C
	APPROV. BY: Sinko S.		05.03.2025.	PROJECT NO: -
	MATERIAL: CORROSION RESISTANT STEEL	WEIGHT: 0.51 kg		POSITION: -
	RAW DIM: -	HEAT TREATMENT: 48 HRC		NO. OF PARTS: -
	GENERAL TOLERANCES FOR DIMENSIONS ACC. ISO 2768-1: f			PAPER SIZE: A4
	GEOMETRICAL TOLERANCES ACC. ISO 2768-2: fH			PAGE: 1
	INDICATIONS OF FORM AND POSITION ACC. TO ISO 1101			PAGES: 1
	SURFACE ROUGHNESS INDICATIONS ACC. TO ISO 1302			
	PERMISSIBLE DEVIATIONS FOR LINEAR DIMENSIONS ISO 2768-1 f EXTRACT	SIZE RANGE	Up to 3	
			>3 to 6	
			>6 to 30	
			>30 to 120	
			>120 to 315	
			>315 to 1000	
			>1000 to 2000	
	LINEAR TOLERANCE		±0,05	
			±0,05	
			±0,10	
			±0,15	
			±0,20	
			±0,30	
			±0,50	

Slovenska vas 4 j,  
8261 Jesenice na Dol., Slovenija  
Tel: +386 (0)7 49 57 371