

1

2

3

4

NOTES:

1. ONLY IMPORTANT DIMENSIONS ARE SHOWN ON THE DRAWING.
2. ALL GEOMETRY SHOULD CORRESPOND WITH THE CAD MODEL. GENERAL TOLERANCES HAVE TO BE APPLIED TO MISSING DIMENSIONS TAKEN FROM CAD MODEL.

A

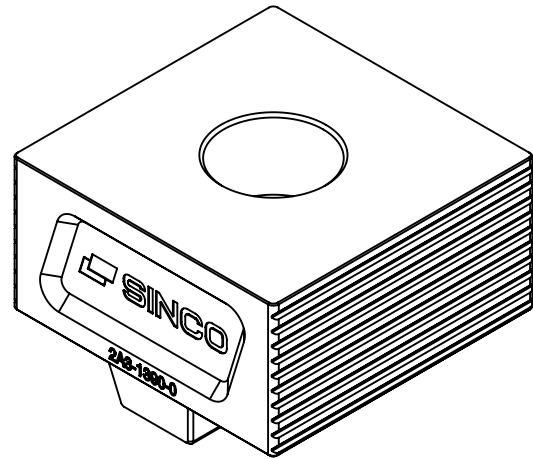
B

C

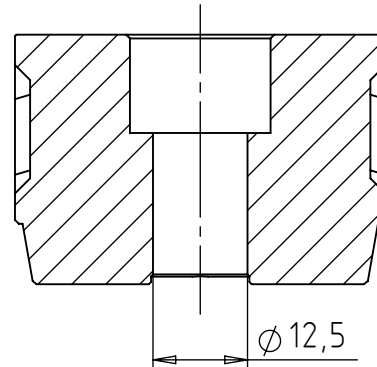
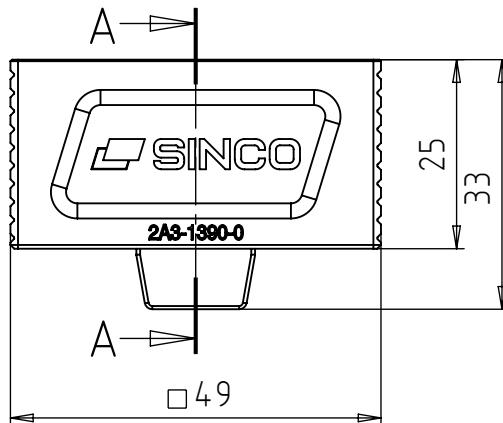
D

E

F



ISOMETRIC VIEW



SECTION A-A

-	05.03.2025.	NEW	S.S.
No.	DATE	REVISION RECORD	SIGN.

ISO TOL.	PROJ. EUROP.	SCALE: 1:1	DO NOT SCALE DRAWING						
	NAME: Sinko S.	SIGNATURE:	DATE: 05.03.2025.	PART NAME: MZ SUPPORT W50 L50C H25					
	DRAWN BY:			PRODUCT: MULTIZERO SYSTEM					
	DESIGNED BY:			PART NUMBER: 2A3-1390-0					
	CONTROL BY:			DRAWING NUMBER: 2A3-1390-0-C					
	APPROV. BY: Sinko S.		05.03.2025.	PROJECT NO.: -					
	MATERIAL: CORROSION RESISTANT STEEL	WEIGHT: 0.44 kg		POSITION: -	NO. OF PARTS: -	PAPER SIZE: A4			
	RAW DIM: -	HEAT TREATMENT: 48 HRc				PAGE: 1			
	GENERAL TOLERANCES FOR DIMENSIONS ACC. ISO 2768-1: f			Slovenska vas 4 j,					
	GEOMETRICAL TOLERANCES ACC. ISO 2768-2: fh			8261 Jesenice na Dol., Slovenija					
	INDICATIONS OF FORM AND POSITION ACC. TO ISO 1101			Tel: +386 (0)7 49 57 371					
	SURFACE ROUGHNESS INDICATIONS ACC. TO ISO 1302			PAGES: 1					
	PERMISSIBLE DEVIATIONS FOR LINEAR DIMENSIONS ISO 2768-1 f EXTRACT	SIZE RANGE	Up to 3	>3 to 6	>6 to 30	>30 to 120	>120 to 315	>315 to 1000	>1000 to 2000
	LINEAR TOLERANCE		±0,05	±0,05	±0,10	±0,15	±0,20	±0,30	±0,50