

NOTES:

1. ONLY IMPORTANT DIMENSIONS ARE SHOWN ON THE DRAWING.
2. ALL GEOMETRY SHOULD CORRESPOND WITH THE CAD MODEL. GENERAL TOLERANCES HAVE TO BE APPLIED TO MISSING DIMENSIONS TAKEN FROM CAD MODEL.

A

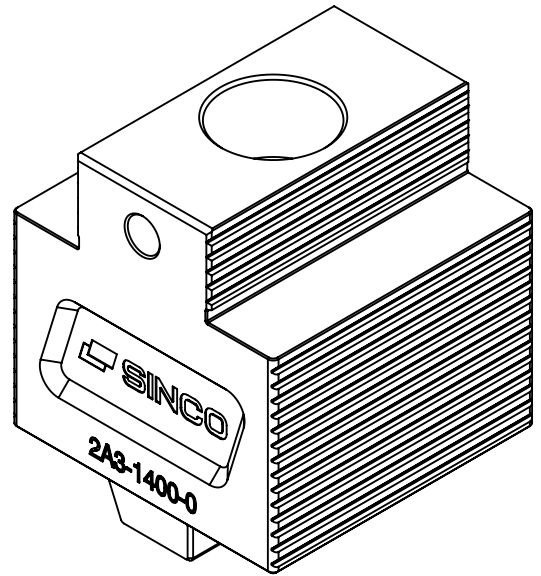
B

C

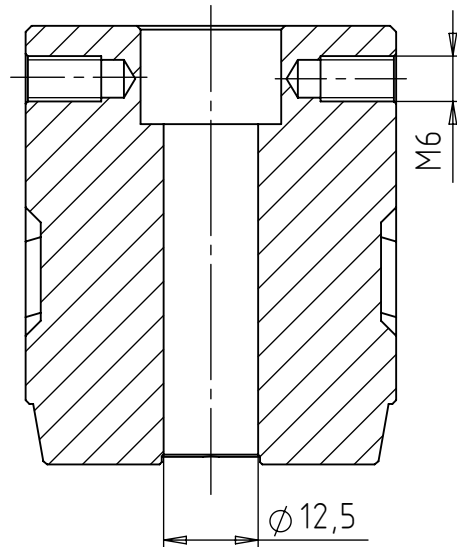
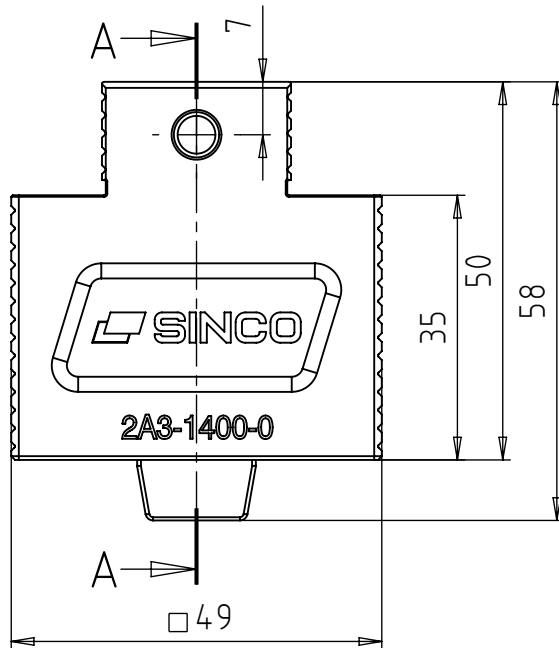
D

E

F




ISOMETRIC VIEW



SECTION A-A

-	05.03.2025.	NEW	S.S.
No.	DATE	REVISION RECORD	SIGN.

ISO TOL.	PROJ. EUROP.	SCALE: 1:1	DO NOT SCALE DRAWING
	NAME: Sinko S.	SIGNATURE:	DATE: 05.03.2025.
	DRAWN BY:		PRODUCT: MULTIZERO SYSTEM
	DESIGNED BY:		PART NUMBER: 2A3-1400-0
	CONTROL BY:		DRAWING NUMBER: 2A3-1400-0-C
	APPROV. BY: Sinko S.	DATE: 05.03.2025.	PROJECT NO.: -
	MATERIAL: CORROSION RESISTANT STEEL	WEIGHT: 0.74 kg	POSITION: -
	RAW DIM: -	HEAT TREATMENT: 48 HRC	NO. OF PARTS: -
	GENERAL TOLERANCES FOR DIMENSIONS ACC. ISO 2768-1: f		
	GEOMETRICAL TOLERANCES ACC. ISO 2768-2: fh		
	INDICATIONS OF FORM AND POSITION ACC. TO ISO 1101		
	SURFACE ROUGHNESS INDICATIONS ACC. TO ISO 1302		
	PERMISSIBLE DEVIATIONS FOR LINEAR DIMENSIONS ISO 2768-1 f EXTRACT	SIZE RANGE	Up to 3
			> 3 to 6
			> 6 to 30
			> 30 to 120
			> 120 to 315
			> 315 to 1000
			> 1000 to 2000
	LINEAR TOLERANCE		±0,05 ±0,05 ±0,10 ±0,15 ±0,20 ±0,30 ±0,50

PART NAME: MZ SUPPORT W50 L50C H50	PAPER SIZE: A4
PRODUCT: MULTIZERO SYSTEM	PAGE: 1
PART NUMBER: 2A3-1400-0	PAGES: 1
DRAWING NUMBER: 2A3-1400-0-C	
PROJECT NO.: -	
POSITION: -	
NO. OF PARTS: -	
 Slovenska vas 4 j, 8261 Jesenice na Dol., Slovenija Tel: +386 (0)7 49 57 371	