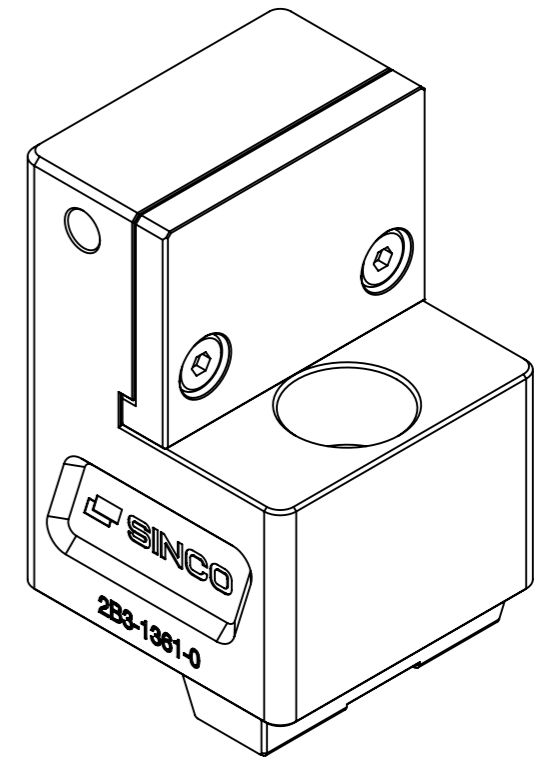
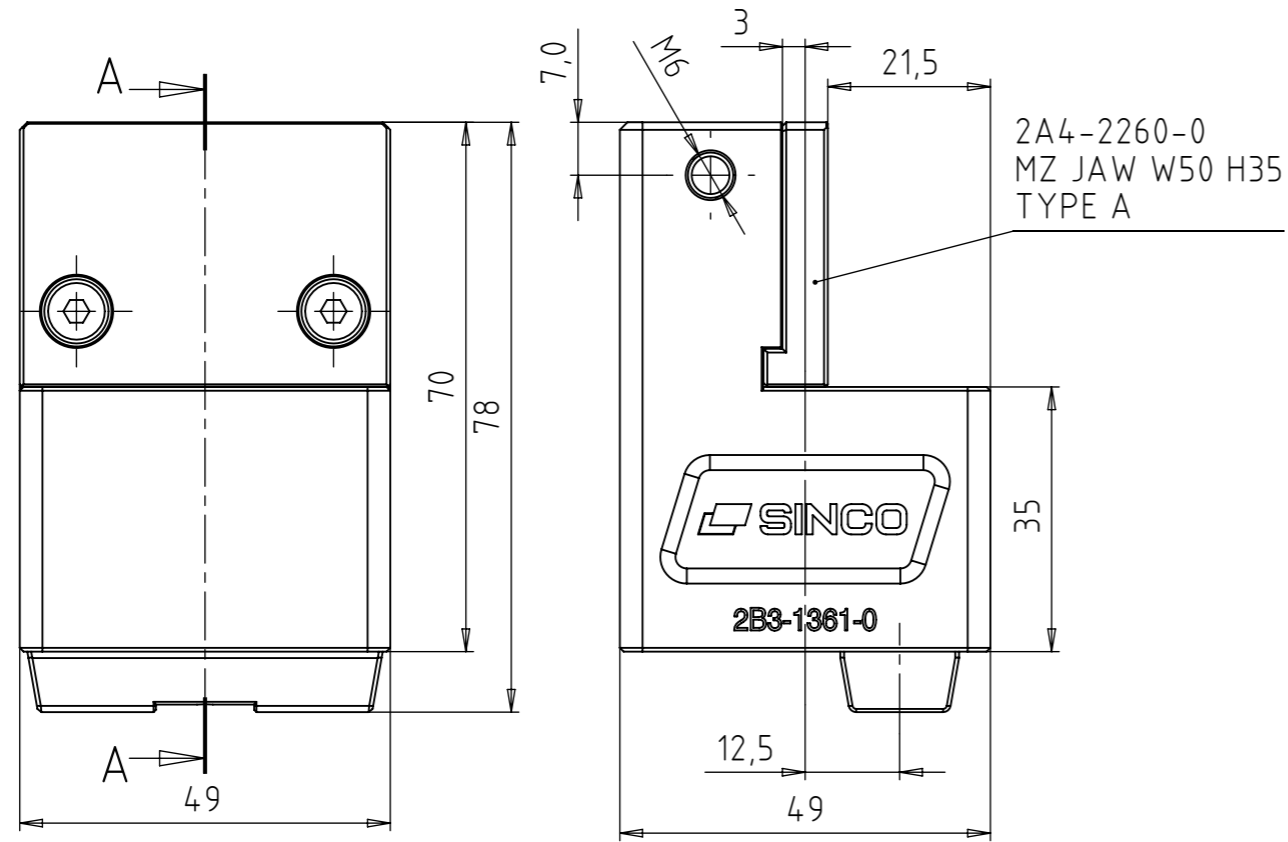
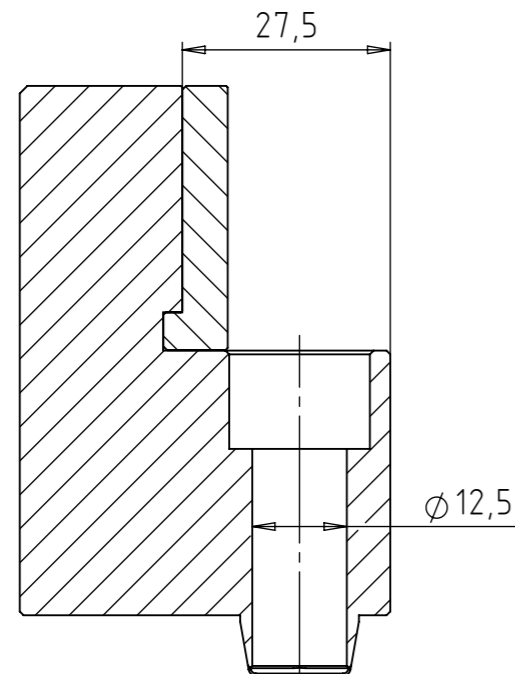


NOTES:

1. ONLY IMPORTANT DIMENSIONS ARE SHOWN ON THE DRAWING.
2. ALL GEOMETRY SHOULD CORRESPOND WITH THE CAD MODEL. GENERAL TOLERANCES HAVE TO BE APPLIED TO MISSING DIMENSIONS TAKEN FROM CAD MODEL.
3. PART MUST BE FREE OF BURR AND IMPERFECTIONS THAT MIGHT AFFECT FIT OR FUNCTION.



ISOMETRIC VIEW



SECTION A-A

No.	DATE	REVISION RECORD	SIGN.
-	24.02.2025.	NEW	S.S.

ISO TOL.	PROJ. EUROP.	SCALE: 1:1	DO NOT SCALE DRAWING																	
	NAME: Sinko S.	SIGNATURE:	DATE: 24.02.2025.	PART NAME: MZ SINGLE STOPPER W50 L50 H35																
	DRAWN BY: Sinko S.			PRODUCT: -																
	DESIGNED BY:			PART NUMBER: 2B3-1361-0																
	CONTROL BY:			DRAWING NUMBER: 2B3-1361-0-C																
	APPROV. BY: Sinko S.		DATE: 24.02.2025.	PROJECT NO: -																
	MATERIAL: -	WEIGHT: 0.98 kg		POSITION: -																
	RAW DIM: -	HEAT TREATMENT: -		NO. OF PARTS: -																
	GENERAL TOLERANCES FOR DIMENSIONS ACC. ISO 2768-1: f			PAPER SIZE: A3																
	INDICATIONS OF FORM AND POSITION ACC. TO ISO 1101			PAGE: 1																
	SURFACE ROUGHNESS INDICATIONS ACC. TO ISO 1302			PAGES: 1																
	<table border="1"> <tr> <th>PERMISSIBLE DEVIATIONS FOR LINEAR DIMENSIONS ISO 2768-1: f EXTRACT</th> <th>SIZE RANGE</th> <th>Up to 3</th> <th>>3 to 6</th> <th>>6 to 30</th> <th>>30 to 120</th> <th>>120 to 315</th> <th>>315 to 1000</th> </tr> <tr> <td>LINEAR TOLERANCE</td> <td></td> <td>±0.05</td> <td>±0.05</td> <td>±0.10</td> <td>±0.15</td> <td>±0.20</td> <td>±0.30</td> </tr> </table>			PERMISSIBLE DEVIATIONS FOR LINEAR DIMENSIONS ISO 2768-1: f EXTRACT	SIZE RANGE	Up to 3	>3 to 6	>6 to 30	>30 to 120	>120 to 315	>315 to 1000	LINEAR TOLERANCE		±0.05	±0.05	±0.10	±0.15	±0.20	±0.30	Slovenska vas 4j, 8261 Jesenice na Dol., Slovenija Tel: +386 (0)7 49 57 371
PERMISSIBLE DEVIATIONS FOR LINEAR DIMENSIONS ISO 2768-1: f EXTRACT	SIZE RANGE	Up to 3	>3 to 6	>6 to 30	>30 to 120	>120 to 315	>315 to 1000													
LINEAR TOLERANCE		±0.05	±0.05	±0.10	±0.15	±0.20	±0.30													