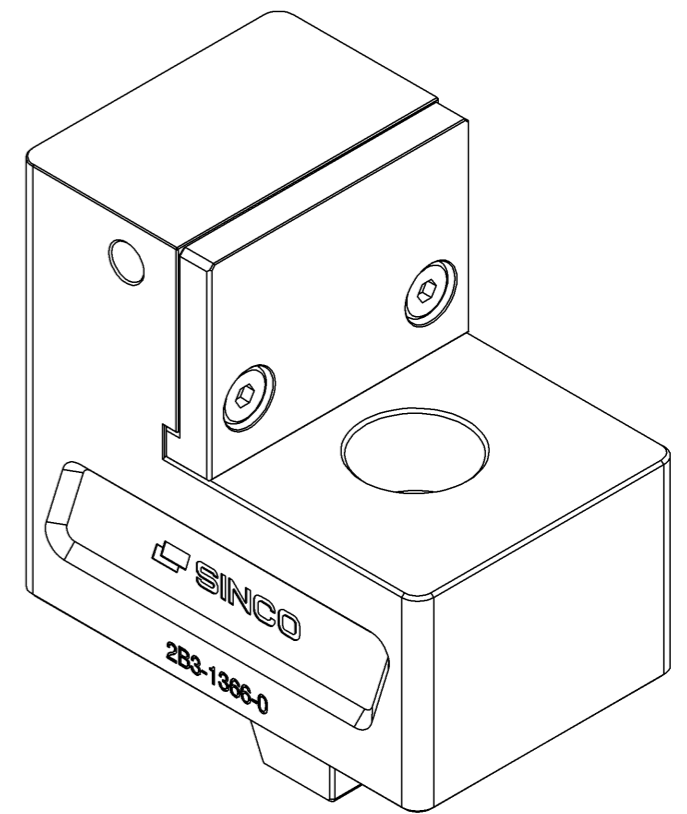


SECTION A-A

NOTES:

1. ONLY IMPORTANT DIMENSIONS ARE SHOWN ON THE DRAWING.
2. ALL GEOMETRY SHOULD CORRESPOND WITH THE CAD MODEL. GENERAL TOLERANCES HAVE TO BE APPLIED TO MISSING DIMENSIONS TAKEN FROM CAD MODEL.
3. PART MUST BE FREE OF BURR AND IMPERFECTIONS THAT MIGHT AFFECT FIT OR FUNCTION.



ISOMETRIC VIEW

No.	DATE	REVISION RECORD	SIGN.
-	24.02.2025.	NEW	S.S.

ISO TOL.	PROJ. EUROPE	SCALE: 1:1	DO NOT SCALE DRAWING		
	NAME: Sinko S.	SIGNATURE:	DATE: 24.02.2025.	PART NAME: MZ SINGLE STOPPER W50 L75 H35	
	DRAWN BY: Sinko S.			PRODUCT: -	
	DESIGNED BY:			PART NUMBER: 2B3-1366-0	
	CONTROL BY:			DRAWING NUMBER: 2B3-1366-0-C	
	APPROV. BY: Sinko S.		DATE: 24.02.2025.	PROJECT NO: -	
	MATERIAL: -	WEIGHT: 1.42 kg		POSITION: -	NO. OF PARTS: -
	RAW DIM: -	HEAT TREATMENT: -		PAPER SIZE: A3	
	GENERAL TOLERANCES FOR DIMENSIONS ACC. ISO 2768-1 f			Slovenska vas 4j, 8261 Jesenice na Dol., Slovenija	
	INDICATIONS OF FORM AND POSITION ACC. TO ISO 1101			Tel: +386 (0)7 49 57 371	
	SURFACE ROUGHNESS INDICATIONS ACC. TO ISO 1302			PAGE: 1	
	PERMISSIBLE DEVIATIONS FOR LINEAR DIMENSIONS ISO 2768-1 EXTRACT			PAGES: 1	
	SIZE RANGE	up to 3	> 3	> 6	> 30
	LINEAR TOLERANCE	±0,05	±0,05	±0,10	±0,15