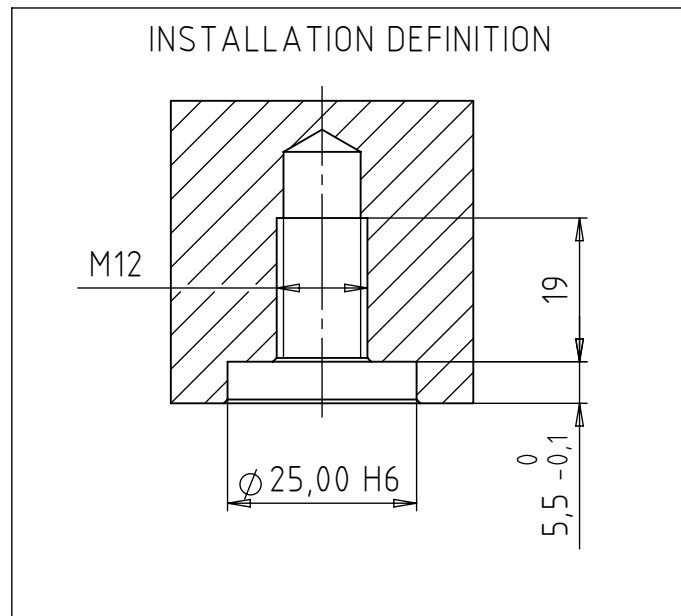
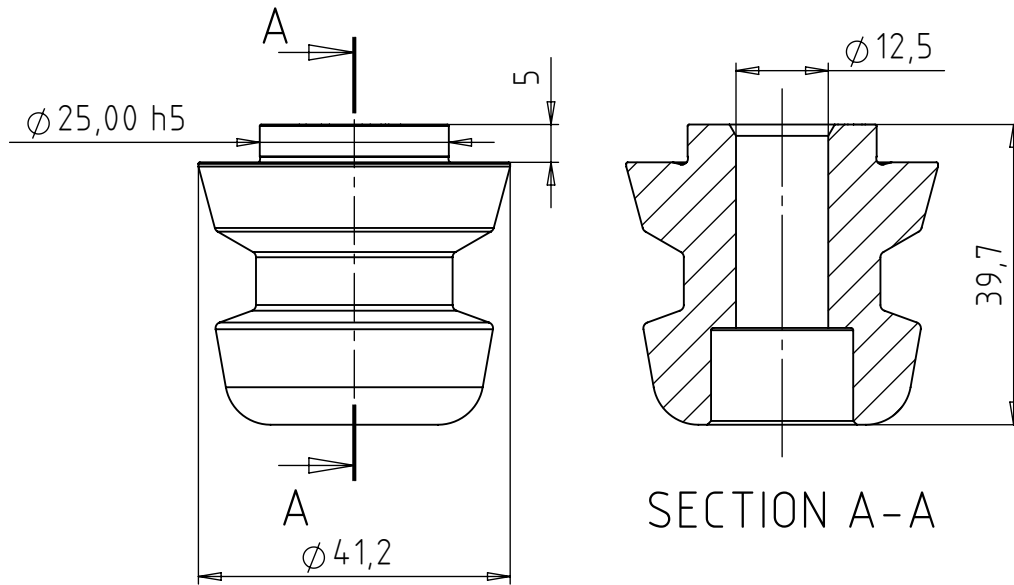


## NOTES:

1. ONLY IMPORTANT DIMENSIONS ARE SHOWN ON THE DRAWING.
2. ALL GEOMETRY SHOULD CORRESPOND WITH THE CAD MODEL. GENERAL TOLERANCES HAVE TO BE APPLIED TO MISSING DIMENSIONS TAKEN FROM CAD MODEL.



-	22.03.2025.	NEW	S.S.
No.	DATE	REVISION RECORD	SIGN.

ISO TOL.	PROJ. EUROP.	SCALE: 1:1	DO NOT SCALE DRAWING
	NAME: Sinko S.	SIGNATURE:	DATE: 22.03.2025.
	DRAWN BY: Sinko S.		PRODUCT: MZ RISER W80 NIPPLE TYPE A
	DESIGNED BY:		PART NUMBER: MULTIZERO RISER
	CONTROL BY:		3A6-1030-1
	APPROV. BY: Sinko S.	22.03.2025.	DRAWING NUMBER: 3A6-1030-1-C
	MATERIAL: Corrosion resistant steel	WEIGHT: 0.20 kg	
	RAW DIM: -	HEAT TREATMENT: 48 HRc	
	GENERAL TOLERANCES FOR DIMENSIONS ACC. ISO 2768-1: f		PROJECT NO: -
	GEOMETRICAL TOLERANCES ACC. ISO 2768-2: fh		POSITION: -
	INDICATIONS OF FORM AND POSITION ACC. TO ISO 1101		NO. OF PARTS: -
	SURFACE ROUGHNESS INDICATIONS ACC. TO ISO 1302		PAPER SIZE: A4
	PERMISSIBLE DEVIATIONS FOR LINEAR DIMENSIONS ISO 2768-1 f EXTRACT	SIZE RANGE	Slovenska vas 4 j, 8261 Jesenice na Dol., Slovenija
	LINEAR TOLERANCE	Up to 3	Tel: +386 (0)7 49 57 371
		>3 to 6	PAGE: 1
		>6 to 30	PAGES: 1
		>30 to 120	
		>120 to 315	
		>315 to 1000	
		>1000 to 2000	