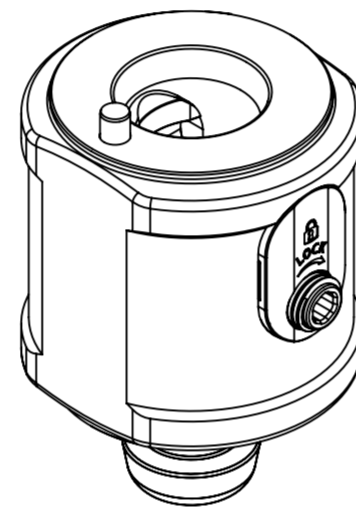
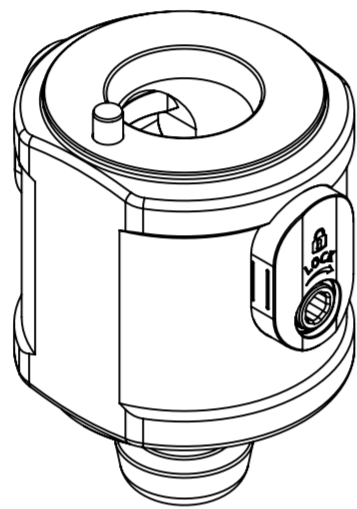
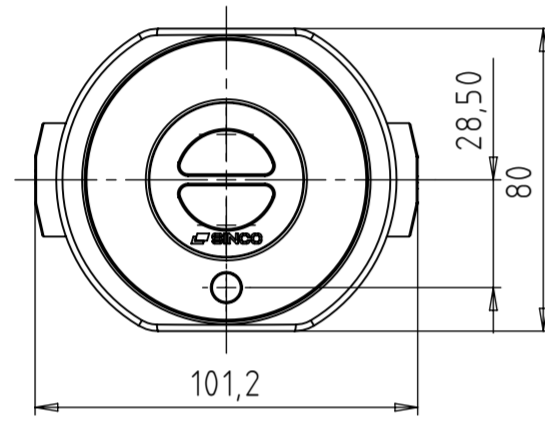
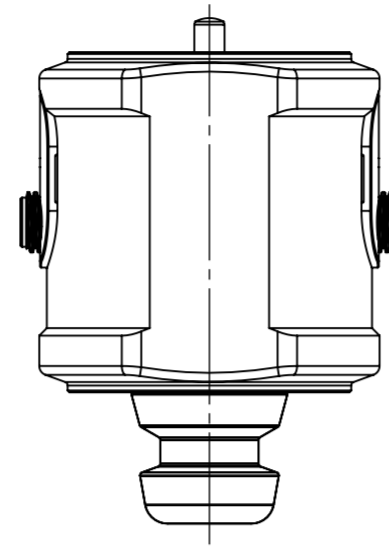
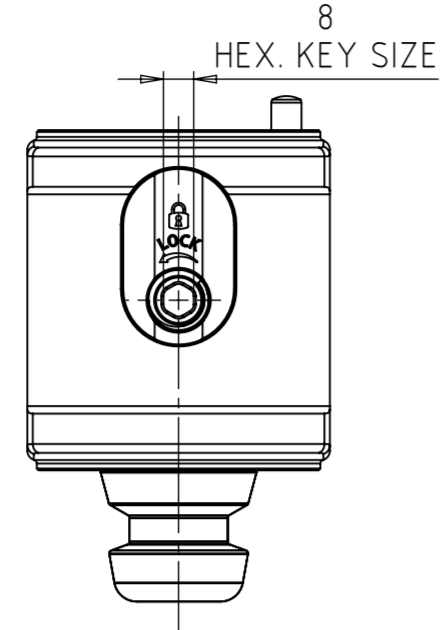
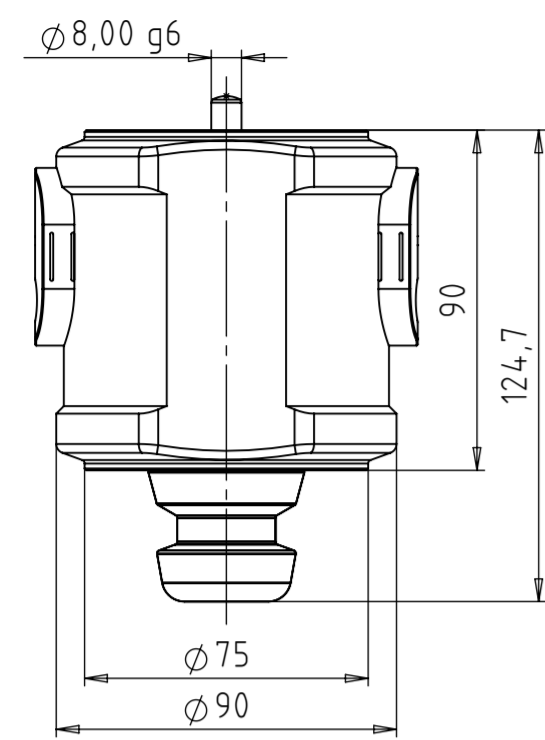


OPEN

CLOSED



NOTES:

- ONLY IMPORTANT DIMENSIONS ARE SHOWN ON THE DRAWING.
- ALL GEOMETRY SHOULD CORRESPOND WITH THE CAD MODEL. GENERAL TOLERANCES HAVE TO BE APPLIED TO MISSING DIMENSIONS TAKEN FROM CAD MODEL.
- ASSEMBLY MUST BE FREE OF BURR AND IMPERFECTIONS THAT MIGHT AFFECT FIT OR FUNCTION.
- CLAMPING FORCE: 15 kN max.
- CLAMPING TORQUE MAX.: 50 Nm MUST NOT BE EXCEEDED.
- SURFACES MUST BE VISUALLY UNIFORM AND WITHOUT DAMAGES AND IMPERFECTIONS SUCH AS SCRATCHES, STAINS AND BURR.
- CHECK FUNCTION AND GREASE REGULARY. RECOMMENDED LUBRICANT MOLYKOTE TP42 OR SIMILAR.
- PARTS LIST DOCUMENT: 3B6-1045-0-P

No.	DATE	REVISION RECORD	SIGN.
-	21.03.2025.	NEW	S.S.

ISO TOL.	PROJ. EUROP.	SCALE: 1:2	DO NOT SCALE DRAWING	
	NAME: Sinko S.	SIGNATURE:	DATE: 21.03.2025.	PART NAME: MZ RISER W80 EXTENSION H90
	DRAWN BY: Sinko S.			PRODUCT: MULTIZERO RISER
	DESIGNED BY:			PART NUMBER: 3B6-1045-0
	CONTROL BY:			DRAWING NUMBER: 3B6-1045-0-C
	APPROV. BY: Sinko S.		DATE: 21.03.2025.	PROJECT NO: -
	MATERIAL: -	WEIGHT: 4,16 kg		POSITION: -
	RAW DIM: -	HEAT TREATMENT: -		NO. OF PARTS: -
	GENERAL TOLERANCES FOR DIMENSIONS ACC. ISO 2768-1 f			PAPER SIZE: A2
	GEOMETRICAL TOLERANCES ACC. ISO 2768-2 fH			PAGE: 1
	INDICATIONS OF FORM AND POSITION ACC. TO ISO 1101			PAGES: 1
	SURFACE ROUGHNESS INDICATIONS ACC. TO ISO 1302			
	FORMING DEVIATIONS FOR BEARING DIMENSIONS			
	SIZE RANGE			
	LINEAR TOLERANCE			
	SLOVENSKA VAS 4 J. 8261 JESENICE NA DOL., SLOVENIJA			
	TEL: +386 (0)7 4 9 5 7 3 7 1			
	SINCO			