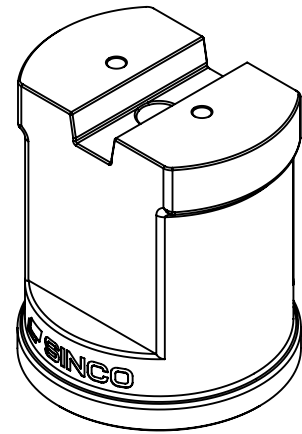
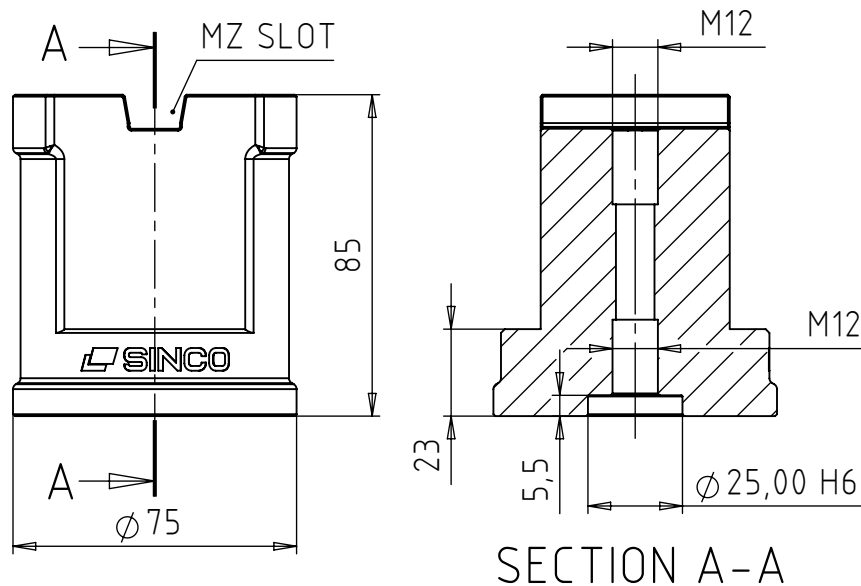


NOTES:

1. ONLY IMPORTANT DIMENSIONS ARE SHOWN ON THE DRAWING.
2. ALL GEOMETRY SHOULD CORRESPOND WITH THE CAD MODEL. GENERAL TOLERANCES HAVE TO BE APPLIED TO MISSING DIMENSIONS TAKEN FROM CAD MODEL.



ISOMETRIC VIEW



SECTION A-A

-	21.03.2025.	NEW	S.S.
No.	DATE	REVISION RECORD	SIGN.

ISO TOL.	PROJ. EUROP.	SCALE: 1:2	DO NOT SCALE DRAWING	
	NAME: Sinko S.	SIGNATURE:	DATE: 21.03.2025.	PART NAME: MZ RISER W80 ADAPTER D75 H50
	DRAWN BY: Sinko S.			PRODUCT: MULTIZERO RISER
	DESIGNED BY:			PART NUMBER: 3B6-1250-0
	CONTROL BY:			DRAWING NUMBER: 3B6-1250-0-C
	APPROV. BY: Sinko S.		21.03.2025.	PROJECT NO: -
	MATERIAL: Corrosion resistant steel	WEIGHT: 1.53 kg		POSITION: -
	RAW DIM: -	HEAT TREATMENT: 48 HRc		NO. OF PARTS: -
	GENERAL TOLERANCES FOR DIMENSIONS ACC. ISO 2768-1: f			PAPER SIZE: A4
	GEOMETRICAL TOLERANCES ACC. ISO 2768-2: fh			PAGE: 1
	INDICATIONS OF FORM AND POSITION ACC. TO ISO 1101			PAGES: 1
	SURFACE ROUGHNESS INDICATIONS ACC. TO ISO 1302			
	PERMISSIBLE DEVIATIONS FOR LINEAR DIMENSIONS ISO 2768-1 f EXTRACT	SIZE RANGE	Up to 3	
			>3 to 6	
			>6 to 30	
			>30 to 120	
			>120 to 315	
			>315 to 1000	
			>1000 to 2000	
	LINEAR TOLERANCE		±0,05	
			±0,05	
			±0,10	
			±0,15	
			±0,20	
			±0,30	
			±0,50	
	SINCO			Slovenska vas 4 j, 8261 Jesenice na Dol., Slovenija Tel: +386 (0)7 49 57 371