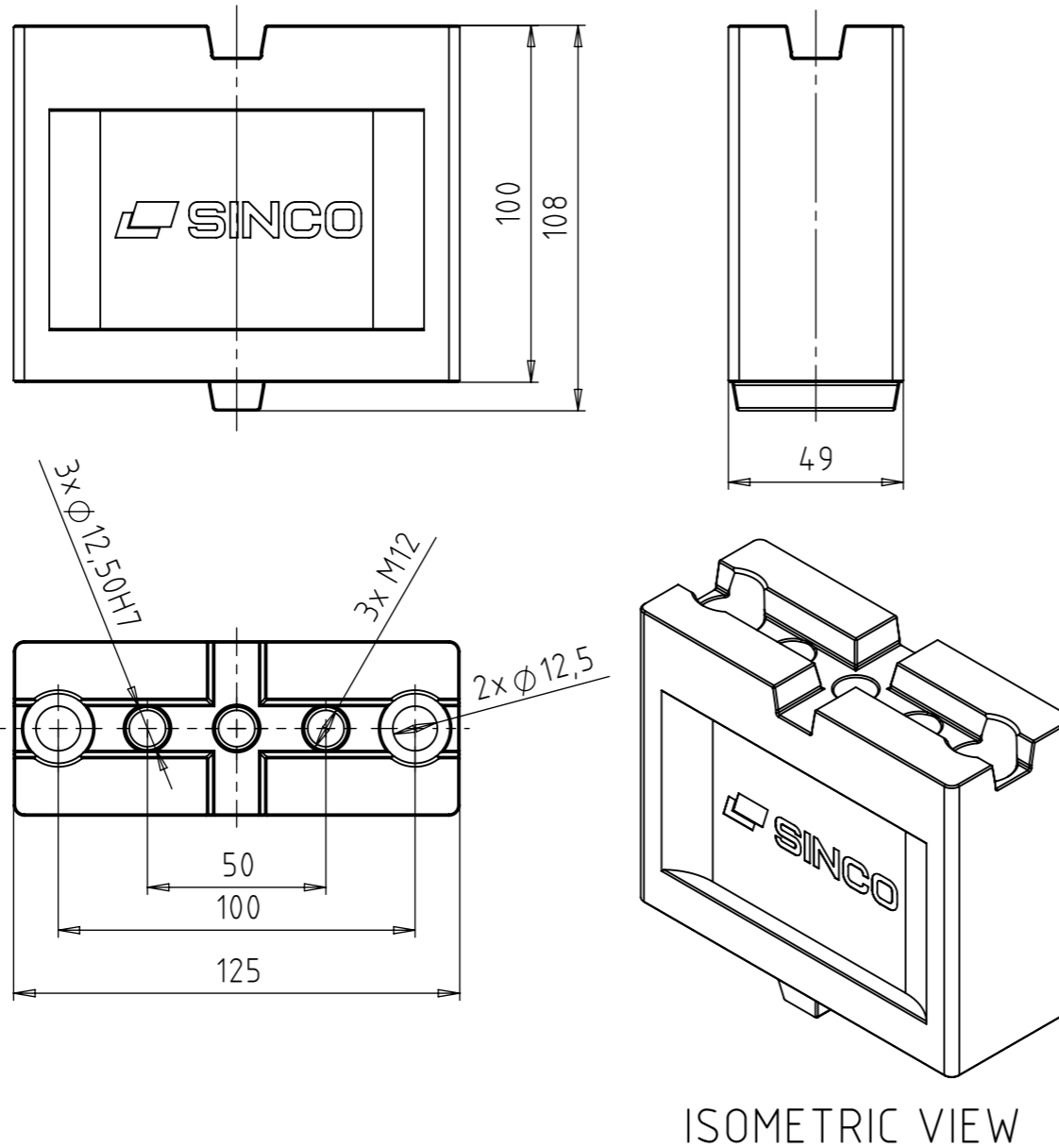


- NOTES:
1. ONLY IMPORTANT DIMENSIONS ARE SHOWN ON THE DRAWING.
 2. ALL GEOMETRY SHOULD CORRESPOND WITH THE CAD MODEL. GENERAL TOLERANCES HAVE TO BE APPLIED TO MISSING DIMENSIONS TAKEN FROM CAD MODEL.
 3. PART MUST BE FREE OF BURR AND IMPERFECTIONS THAT MIGHT AFFECT FIT OR FUNCTION.



ISOMETRIC VIEW

No.	DATE	REVISION RECORD	SIGN.
-	29.01.2026.	NEW	S.S.

ISO TOL.	PROJ. EUROPE	SCALE: 1:2	DO NOT SCALE DRAWING		
	NAME: Sinko S.	SIGNATURE:	DATE: 29.01.2026.	PART NAME: MZ ADAPTER W50 L125 H100	
	DESIGNED BY:			PRODUCT: -	
	CONTROL BY:			PART NUMBER: 5A3-2235-0	
	APPROV. BY: Sinko S.		29.01.2026.	DRAWING NUMBER: 5A3-2235-0-C	
	MATERIAL: -	WEIGHT: 3.8 kg		PROJECT NO: -	
	RAW DIM: -	HEAT TREATMENT: -		POSITION: -	NO. OF PARTS: -
	GENERAL TOLERANCES FOR DIMENSIONS ACC. ISO 2768-1: f			PAPER SIZE: A3	PAGE: 1
	INDICATIONS OF FORM AND POSITION ACC. TO ISO 1101				
	SURFACE ROUGHNESS INDICATIONS ACC. TO ISO 1302				
	PERMISSIBLE DEVIATIONS FOR LINEAR DIMENSIONS ISO 2768-1: f EXTRACT	SIZE RANGE	Up to 3 >3 to 6 >6 to 30 >30 to 120 >120 to 315 >315 to 1000	Slovenska vas 4j, 8261 Jesenice na Dol., Slovenija	
	LINEAR TOLERANCE	±0.05 ±0.10 ±0.15 ±0.20 ±0.30		Tel: +386 (0)7 49 57 371	
				PAGES: 1	